



Selection: Open-Type Reciprocating Compressors

Input Values

Compressor model	6G.2Y-K	Useful superheat	100%
Refrigerant	R404A	Motor speed	1450 /min
Reference temperature	Dew point temp.	Drive	Coupling (1:1)
Liq. subc. (in condenser)	0 K	Capacity control	100%
Suction gas temperature	20,00 °C		

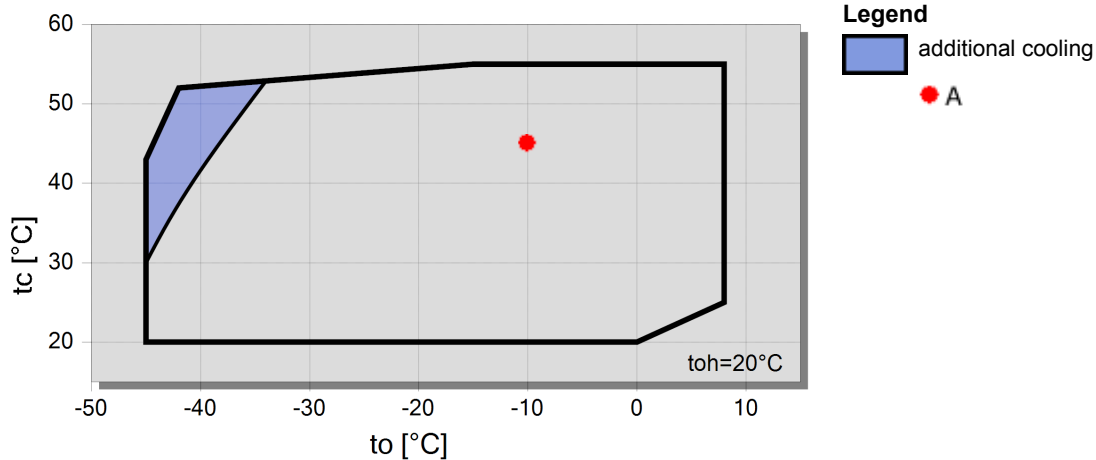
Result

Q [W]	Cooling capacity	COP [-]	COP/EER
Q* [W]	Cooling capacity *	COP* [-]	COP/EER *
P [kW]	Power input	m [kg/h]	Mass flow
Qc [W]	Condenser capacity	n [/min]	Compr. speed

tc	to	5°C	0°C	-5°C	-10°C	-15°C	-20°C	-25°C	-30°C
30°C	Q [W]	147381	123227	102309	84219	68625	55243	43825	34150
	Q* [W]	147381	123227	102309	84219	68625	55243	43825	34150
	P [kW]	27,0	26,4	25,4	24,0	22,4	20,5	18,46	16,30
	Qc [W]	174429	149650	127709	108254	91009	75749	62283	50448
	COP [-]	5,45	4,66	4,03	3,50	3,07	2,69	2,37	2,10
	COP* [-]	5,45	4,66	4,03	3,50	3,07	2,69	2,37	2,10
	m [kg/h]	3799	3132	2570	2095	1693	1353	1067	827
	n [/min]	1450	1450	1450	1450	1450	1450	1450	1450
40°C	Q [W]	127247	106260	88018	72199	58534	46787	36754	28247
	Q* [W]	127247	106260	88018	72199	58534	46787	36754	28247
	P [kW]	31,3	29,9	28,2	26,3	24,2	21,9	19,57	17,12
	Qc [W]	158515	136158	116255	98528	82751	68736	56322	45367
	COP [-]	4,07	3,55	3,12	2,74	2,42	2,13	1,88	1,65
	COP* [-]	4,07	3,55	3,12	2,74	2,42	2,13	1,88	1,65
	m [kg/h]	3709	3048	2492	2021	1623	1287	1005	768
	n [/min]	1450	1450	1450	1450	1450	1450	1450	1450
50°C	Q [W]	106246	88606	73199	59788	48171	38167	29612	22356
	Q* [W]	106246	88606	73199	59788	48171	38167	29612	22356
	P [kW]	35,5	33,5	31,3	28,9	26,3	23,7	21,0	18,15
	Qc [W]	141749	122086	104459	88659	74510	61857	50563	40504
	COP [-]	2,99	2,65	2,34	2,07	1,83	1,61	1,41	1,23
	COP* [-]	2,99	2,65	2,34	2,07	1,83	1,61	1,41	1,23
	m [kg/h]	3605	2951	2401	1936	1543	1211	933	700
	n [/min]	1450	1450	1450	1450	1450	1450	1450	1450

-- No calculation possible (see message in single point selection)
 *According to EN12900 (20°C suction gas temp., 0K liquid subcooling)

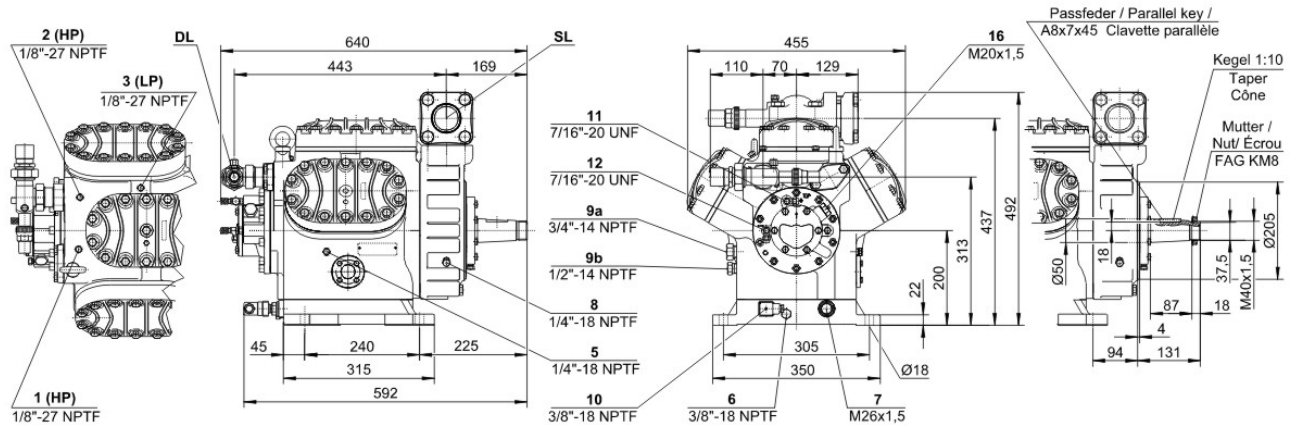
Application Limits Standard 6G.2





Technical Data: 6G.2Y-K

Dimensions and Connections



Technical Data

Technical Data

Displacement (1450 RPM 50Hz)	126,8 m3/h
Displacement (1750 RPM 60Hz)	153,0 m3/h
No. of cylinder x bore x stroke	6 x 75 mm x 55 mm
Allowed speed range	900 .. 1750 1/min
Weight	153 kg
Max. pressure (LP/HP)	19 / 25 bar
Connection suction line	54 mm - 2 1/8"
Connection discharge line	35 mm - 1 3/8"
Oil type R134a/R407C/R404A/R507A/R407A/R407F	tc<55°C: BSE32 / tc>55°C: BSE55 (Option)
Oil type R22 (R12/R502)	B5.2 (Standard)

Extent of delivery (Standard)

Oil charge	5,0 dm3
Protective charge	Standard
Suction shut-off valve	Standard
Discharge shut-off valve	Standard
Pressure relief valve	Standard

Available Options

Coupling (...-K) w. A/C + medium	KK620 [<22kW] / KK630 [<45kW] (Option)
Coupling (...-K) w. low temp.	KK625 [<22kW] / KK630 [<45kW] (Option)
Coupling housing	Option
Motor pulley (...-S)	190, 210, 230 mm (Option)
V-belts	5 x SPA (Option)
Discharge gas temperature sensor	Option (incl. INT69VS)
Start unloading	Option
Connection cooling water	R 3/4" (Option)
Capacity control	100-66-33% (Option)
Additional fan	Option
Water-cooled cylinder heads	Option
Oil service valve	Option
Crankcase heater	140 W (Option)
Oil pressure monitoring	MP54 (Option)
Kit for marine application	Option



Open-Type Reciprocating Compressors

Motor Selection

The required driving motor is selected for starting conditions at direct start as well as at star-delta- or PW-start with start unloading (bypass + check valve). The starting conditions refer to the following defined operation points resp. to the maximum application limit of the compressor. Should the evaporation- or the condensing temperature of the plant be higher at the start, an individual motor selection is necessary.

Evaporation temperature for motor selection				
	HH	H	M	L
R134a	+20 °C	+12,5 °C	-5 °C	-20 °C
R404A / R507A		+7,5 °C	-5 °C	-20 °C
R407F / R407A				
R22		+12,5 °C	-5 °C	-20 °C
NH□	+15 °C	+10 °C	-5 °C	

The stated motor data refer to IEC motors at which the pull-up torque does not fall below 90 % of the max. torque. In addition the following starting torques (referring to direct starting torque) must be reached:

- * 2-cylinder compressors 220 %
- * 4-cylinder compressors 180 %
- * 6-cylinder compressors 160 %

Should the motor not fulfil these criteria, an individual selection is also necessary.

Condenser capacity

The condenser capacity can be calculated with or without heat rejection. This option can be set in the menu Program □ Options. The heat rejection is constantly 5 % of the power consumption. The condensing capacity is to be found in the line cond.cap. (with HR) resp. cond.cap.

Legend of connection positions according to "Dimensions":

- 1 High pressure connection (HP)
 - 2 Connection for discharge gas temperature sensor (HP) (for 4VE(S)-6Y .. 4NE(S)-20(Y) connection for CIC sensor as alternative)
 - 3 Low pressure connection (LP)
 - 4 CIC system: injection nozzle (LP)
 - 4b Connection for CIC sensor
 - 4c Connection for CIC sensor (MP / operation with liquid subcooler)
 - 5 Oil fill plug
 - 6 Oil drain
 - 7 Oil filter (magnetic screw)
 - 8 Oil return (oil separator)
 - 8* Oil return with NH₃ and insoluble oil
 - 9 Connection for oil and gas equalization (parallel operation)
 - 9a Connection for gas equalization (parallel operation)
 - 9b Connection for oil equalization (parallel operation)
 - 10 Oil heater connection
 - 11 Oil pressure connection +
 - 12 Oil pressure connection -
 - 13 Cooling water connection
 - 14 Intermediate pressure connection (MP)
 - 15 Liquid injection (operation without liquid subcooler and with thermostatic expansion valve)
 - 16 Connection for oil monitoring (opto-electrical oil monitoring "OLC-K1" or differential oil pressure switch "Delta-PII")
 - 17 Refrigerant inlet at liquid subcooler
 - 18 Refrigerant outlet at liquid subcooler
 - 19 Clamp space
 - 20 Terminal plate
 - 21 Maintenance connection for oil valve
 - 22 Pressure relief valve to the atmosphere (discharge side)
 - 23 Pressure relief valve to the atmosphere (suction side)
- SL Suction gas line
DL Discharge gas line
- Dimensions can show tolerances according to EN ISO 13920-B.